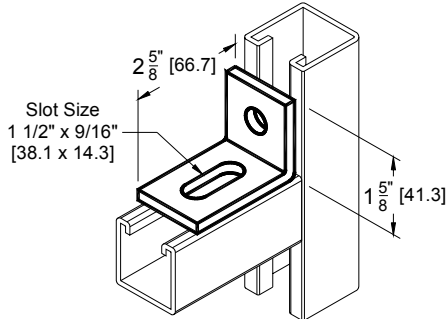


ANGLE FITTINGS

L40

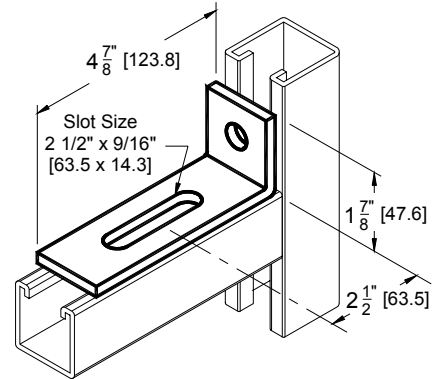
2 Hole 2-5/8" Adjustable Corner Angle



Catalog Number L40 0000EG

L41

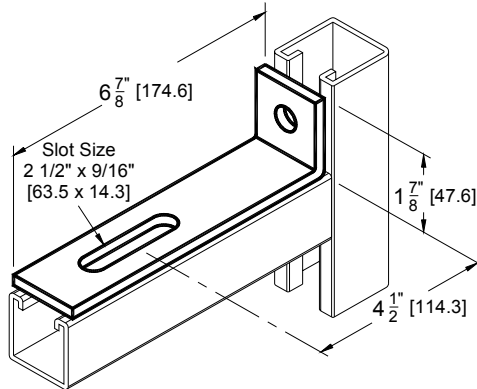
2 Hole 4-7/8" Adjustable Corner Angle



Catalog Number L41 0000EG

L42

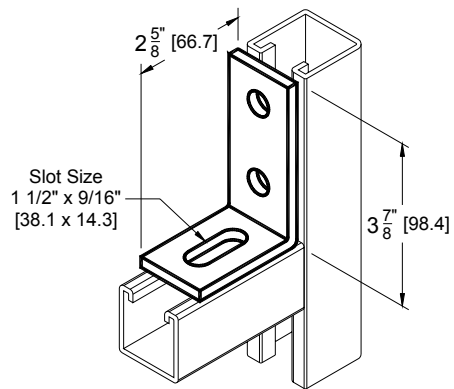
2 Hole 6-7/8" Adjustable Corner Angle



Catalog Number L42 0000EG

L43

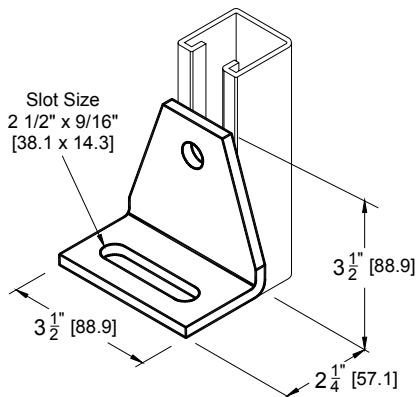
3 Hole Adjustable Corner Angle



Catalog Number L43 0000EG

L44

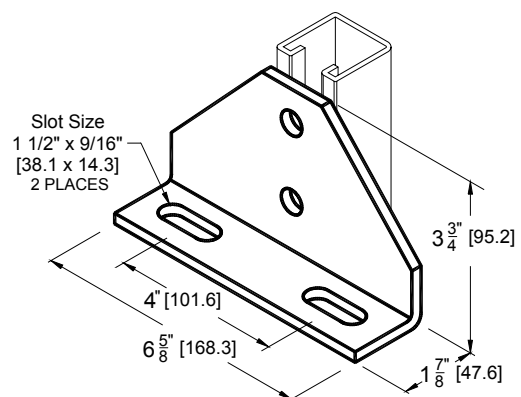
2 Hole Adjustable Gusset Corner Angle



Catalog Number L44 0000EG

L45

4 Hole 6-5/8" Adjustable Gusset Corner Angle



Catalog Number L45 0000EG

Material is 1-5/8" [41.3] wide x 1/4" [6.3] thick unless specified. Holes are 9/16" (14.3) diameter, 13/16" [20.6] center to edge on 1-7/8" [47.6] centers unless specified.